



More information on the website  
[radwag.com/en/info,w1,RQW](https://radwag.com/en/info,w1,RQW)

### AS 82/220.R2 PLUS Analytical Balance



AS 82/220.R2 PLUS Analytical Balance

## Functions



Autotest



Dosing



Percent Weighing



Totalizing



Parts counting



Peak hold



Newton unit  
measurement



Statistics



Checkweighing



GLP Procedures



Animal weighing



Density determination

# Datasheet

	AS 82/220.R2 PLUS Analytical Balance
<b>Metrological parameters</b>	
Maximum capacity [Max]	82 / 220 g
Minimum load	1 mg
Readability [d]	0,01 / 0,1 mg
Tare range	-220 g
Verification scale interval [e]	1 mg
Standard repeatability [5% Max]	0,012 mg
Standard repeatability [Max]	0,08 mg
Standard minimum weight (USP)	24 mg
Standard minimum weight (U=1%, k=2)	2,4 mg
Permissible repeatability [5% Max]	0,02 mg
Permissible repeatability [Max]	0,1 mg
Linearity	±0,05/0,2 mg
Stabilization time	2 s
Adjustment	internal (automatic)
OIML Class	I
<b>Physical parameters</b>	
Levelling system	manual
Display	LCD (backlit)
Delivery components	Balance, weighing pan, weighing pan shield, centring ring, bottom cover, power supply, fabric dust cover .
Weighing pan dimensions	ø90 + ø85 (option) mm
Packaging dimensions	550×455×565 mm
Net weight	7,3 kg
Gross weight	9,3 kg
<b>Communication interface</b>	
Communication interface	2×RS232 <sup>1</sup> , 2×USB-A (interchangeable), USB-B, Wi-Fi (option)
<b>Electrical parameters</b>	
Power supply	Adapter: 100-240V AC 50/60Hz 0,6A; 12V DC 1,2A Balance: 12 – 15V DC 0,4A max
<b>Environmental conditions</b>	
Operating temperature	+10 ÷ +40 °C

Repeatability is expressed as a standard deviation from 10 weighing cycles. Stabilization time depends on the ambient conditions and the dynamics of weighing pan loading; specified for FAST profile. 1 Barcode scanners, available as weighing instrument accessory, communicate with the instrument via RS232 interface exclusively.

\* Wi-Fi® is a registered trademark of Wi-Fi® Alliance.



## Accessories

Granite Antivibration Tables  
Holders for laboratory flasks  
Barcode scanners  
Cigarette lighter receptacle power supply cables  
Power Adapters  
USB cable (scale - printer)  
Professional weighing table

Receipt Printer  
Displays  
Protective cover for balances  
Antistatic ionizer  
AP2-1 Current Loop Unit  
RPANEL BOX  
RS 232, RS 485 cables

Holders for test tubes and filters  
Workstation for Pipettes Calibration

Under-Pan Weighing Rack  
RS 232 cables (scale - EPSON printer)

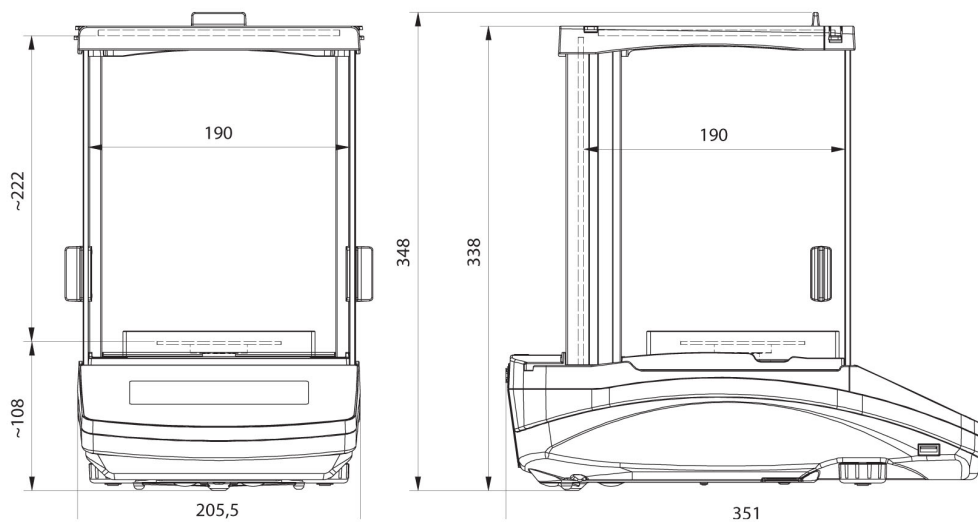
## Software

RAD-KEY  
R Panel  
R-LAB  
E2R System

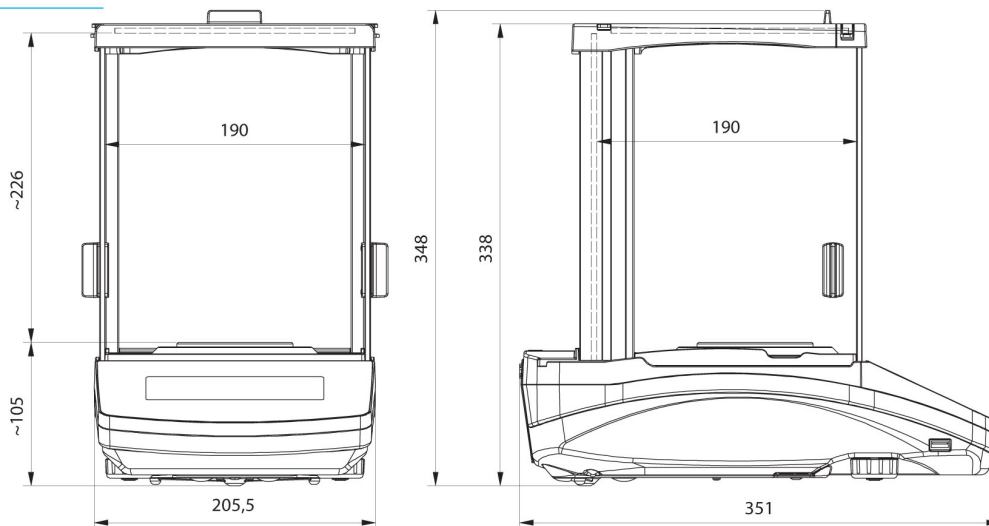
LabVIEW Driver  
Alibi Reader  
RADWAG Development Studio  
R.Barcode

## Device dimensions

AS 82/220.R2 PLUS Analytical Balance



AS R2, d = 0.01 mg



AS R2, AS R1 d = 0.1 mg