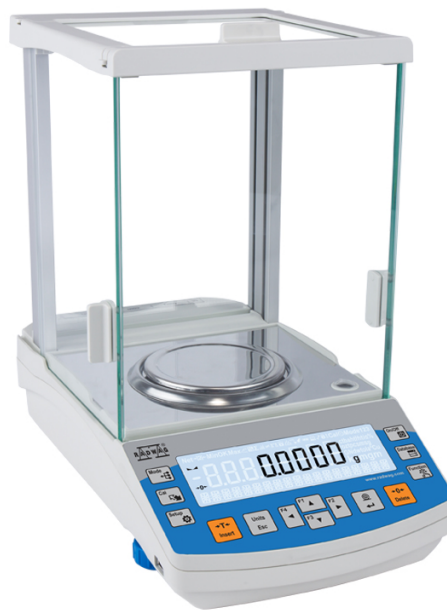




More information on the website
radwag.com/en/info,w1,APQ

AS 310.R2 PLUS Analytical Balance



Functions



Autotest



Dosing



Percent Weighing



Totalizing



Parts counting



Peak hold



Newton unit measurement



Statistics



Checkweighing



GLP Procedures



Animal weighing



Density determination

Datasheet

Metrological parameters	
Maximum capacity [Max]	310 g
Minimum load	10 mg
Readability [d]	0,1 mg
Tare range	-310 g
Verification scale interval [e]	1 mg
Standard repeatability [5% Max]	0,08 mg
Standard repeatability [Max]	0,12 mg

Metrological parameters	
Standard minimum weight (USP)	160 mg
Standard minimum weight (U=1%, k=2)	16 mg
Permissible repeatability [5% Max]	0,12 mg
Permissible repeatability [Max]	0,15 mg
Linearity	±0,2 mg
Stabilization time	2,5 s
Adjustment	internal (automatic)
OIML Class	I
Physical parameters	
Levelling system	manual
Display	LCD (backlit)
Delivery components	Balance, weighing pan, weighing pan shield, bottom cover, power supply.
Weighing pan dimensions	ø100 mm
Packaging dimensions	495×400×515 mm
Net weight	7,3 kg
Gross weight	9,3 kg
Protection class	IP 43
Communication interface	
Communication interface	2×RS232 ¹ , 2×USB-A (interchangeable), USB-B, Wi-Fi (option)
Electrical parameters	
Power supply	Adapter: 100-240V AC 50/60Hz 0,6A; 12V DC 1,2A Balance: 12 – 15V DC 0,4A max
Environmental conditions	
Operating temperature	+10 ÷ +40 °C

Repeatability is expressed as a standard deviation from 10 weighing cycles. Stabilization time depends on the ambient conditions and the dynamics of weighing pan loading; specified for FAST profile. 1 Barcode scanners, available as weighing instrument accessory, communicate with the instrument via RS232 interface exclusively.

* Wi-Fi® is a registered trademark of Wi-Fi® Alliance.



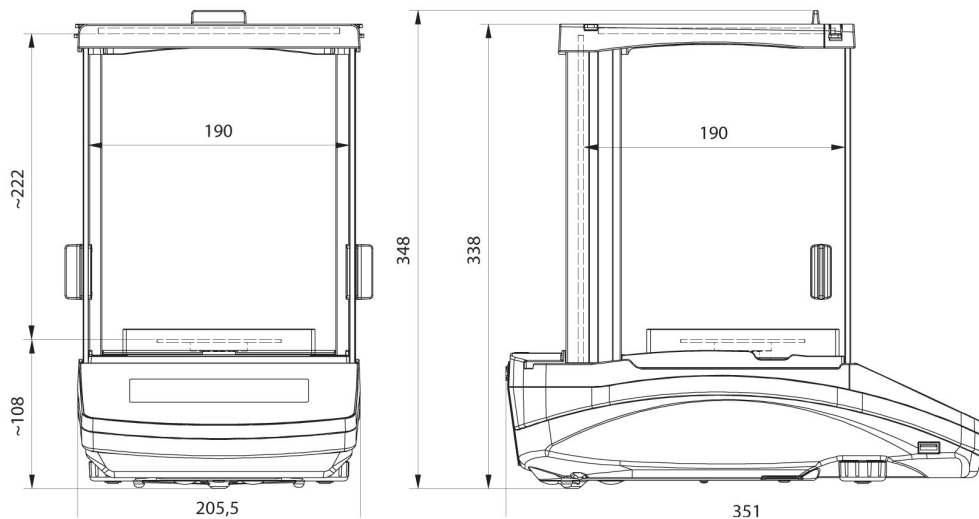
Accessories

Holders for laboratory flasks
 Barcode scanners
 Cigarette lighter receptacle power supply cables
 Density determination KIT
 Power Adapters
 USB cable (scale - printer)
 Professional weighing table
 Holders for test tubes and filters
 Workstation for Pipettes Calibration
 Receipt Printer

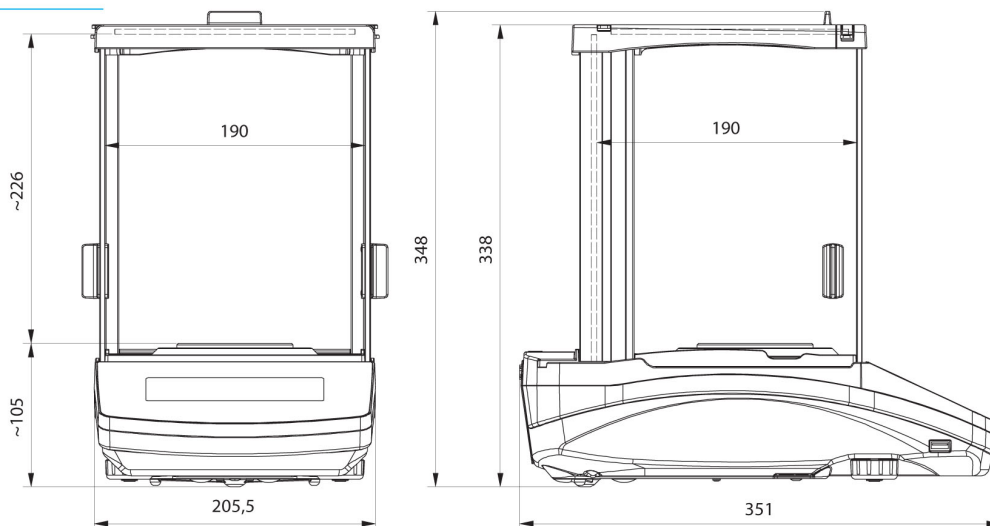
Granite Antivibration Tables
 Displays
 Protective cover for balances
 Antistatic ionizer
 AP2-1 Current Loop Unit
 RPANEL BOX
 RS 232, RS 485 cables
 Under-Pan Weighing Rack
 RS 232 cables (scale - EPSON printer)

Software

Device dimensions



AS R2, d = 0.01 mg



AS R2, AS R1 d = 0.1 mg