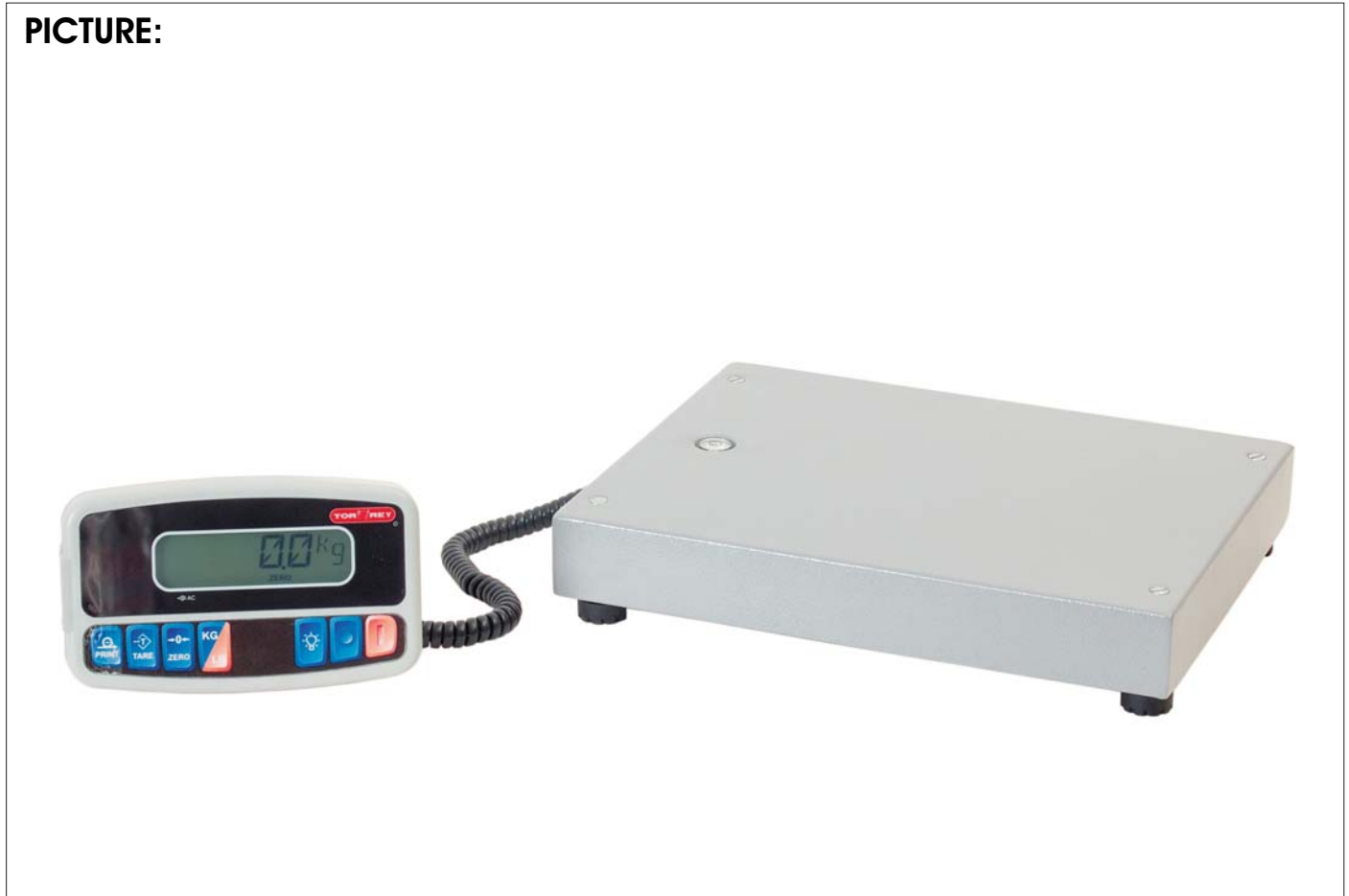


LINE: POSTAL AND PACKAGING SCALES

MODEL: SR-50/100



USE	CAPACITIES AND DIMENSIONS	
<ul style="list-style-type: none"> •Shipping departments •Shipping and mailing services •Post offices •Storage companies •Etc 	MODEL	SR- 50/100
	Capacity	50 kg/ 100 lb
	Minimum division	0.01kg /0.02 lb
	Plate Dimensions	10"X13" (25.4 X 33 cm)

BENEFITS

- Spiral cable to move the indicator where you need it.
- Heavy duty use
- Toggles between kg and lb
- PC or Printer communication function
- Operates with rechargeable battery (Approximately 24 hours) or electrical power supply.

LINE: **POSTAL AND PACKAGING SCALES**

MODEL: **SR-50/100**

BENEFITS

SPECIFICATIONS



BUILT TO LAST
Its solid structure and design, guarantee years of continuous trouble free operation.



EASY TO USE
So simple to use that anyone can operate it with only a minute training

Capacity	50kg/100kg
Minimum division	0.01kg/0.02lb
Display	Liquid crystal display
Serial port	Included
Rechargeable Battery	Included (24 hours approx.)
Maximum tare	50 kg/100lb
Plate Dimensions	10"X13" (25.4X 33cm)
Backlight	Included
Car lighter adapter	Optional
Power Supply	110v/60hz (220v/50 hz Optional)
Operation temperature	14 to 104 °F (-10 to 40 °C)
Storage Temperature	-4 to 122 °F (-20 to 50 °C)
Net weight	11.5 lb / 5.2 kg
Shipping weight	15 lb / 6.8 kg

OPTIONAL ACCESSORIES



Car lighter adapter to plug in the scale

OPERATES ANYWHERE

The SR 50/100 operates anywhere with a rechargeable battery (24Hrs, approx.) Power supply adapter



PC COMMUNICATION FUNCTION

Includes PC or printer interface through RS-232 serial port

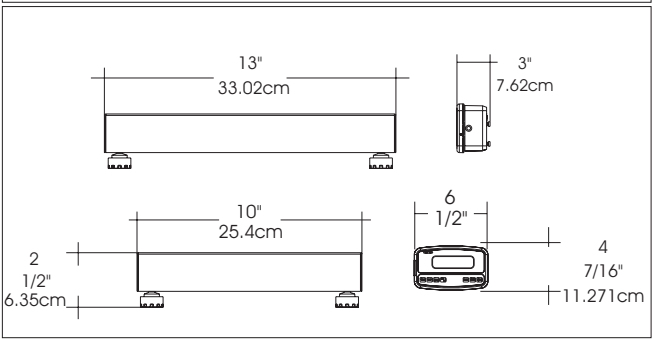


EASY TO READ DISPLAY

Just place the product on the platform and instantly read the weight on the display, backlight included to enhance visibility in dark areas. Saves time and money.



DIMENSIONS



DISTRIBUTED BY

